

**WOODMANSE
REPAIR PARTS
CATALOG
No. 30**

Repair price lists for all windmills erected since 1903. The prices shown in these lists supersede all previous lists published.

When ordering repairs for Windmills show part numbers, also size of wheel and style of mill.

ALL PRICES SUBJECT TO CHANGE
WITHOUT NOTICE

WOODMANSE MFG. CO.

THE PARKER COMPANY

1520-24 WAZEE

DENVER

COLORADO

DISTRIBUTORS

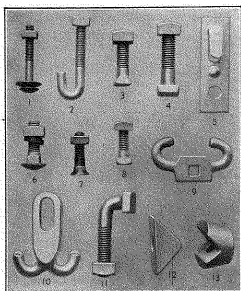
SENTINEL RADIOS
MOTOROLA RADIOS
APPLIANCES

MYERS PUMPS
GRANT BATTERIES
LIGHT PLANTS

WOODMANSE REPAIR PRICE LIST

FOR

- Windmills Erected Since May 1933 Use "GB" List - - Page 28
 Windmills Erected Since 1926 Use "G" List - - - Page 30
 Windmills Erected from 1923-1926 Use "E" List - - Page 32
 Windmills Erected from 1903-1923 Use "S" List - - Page 34



LIST OF PARTS ILLUSTRATED IN CUT

- No. 1.—Carriage Bolt and Washer for Wood Rod Guide. 6c.
 No. 2.—Galvanized Hook Bolt for Brace Tightener. 12c.
 No. 3.— $1\frac{1}{4}'' \times \frac{1}{8}''$ Galvanized T head Splice Bolts for 3-Post Tower. 12c.
 No. 4.— $2\frac{1}{4}'' \times \frac{1}{2}''$ Galvanized V head Splice Bolt for 4-Post Tower. 17c.
 No. 5.—Clamp for Brace Tightener. 12c.
 No. 6.—Carriage Bolt for Wheel Hub. 12c.
 No. 7.—Plow Bolt for Plunger Rod. 6c.
 No. 8.—Machine Bolt for Tower and Wheel. 6c.
 No. 9.—Wood Rod Clamp for Swing Guide. 12c.
 No. 10.—Swing Guide Hook Casting. 17c.
 No. 11.— $2\frac{1}{4}'' \times \frac{1}{2}''$ Galvanized V head Bent Bolt for Bed-Plate and Anchor Plate. 17c.
 No. 12.—Inside Corner Washer. 10c.
 No. 13.—Outside Corner Washer. 6c.

SWING GUIDES With Fixtures

For 30 Foot Tower (1 Pair).....	\$0.75
" 40 Foot " (2 Pair).....	1.50
" 50 Foot " (3 Pair).....	2.00
" 60 Foot " (4 Pair).....	2.80
" 70 Foot " (5 Pair).....	4.75
" 80 Foot " (6 Pair).....	6.25

SWING GUIDE FIXTURES

(For 1 Pair), per set.....	\$.50
Brace Tighteners, (1 Pair).....	.20

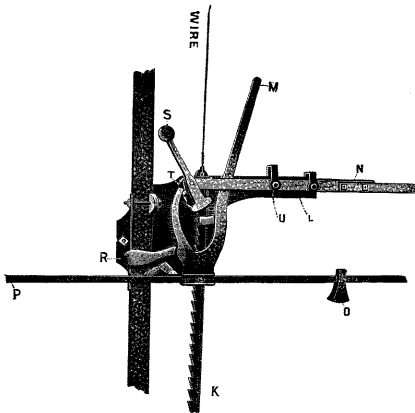
Tower & Mill Bolts	Each	Per 100
$1\frac{1}{2} \times \frac{3}{8}$ Galvanized Machine.....	\$.06	\$4.00
$1\frac{1}{4} \times \frac{3}{8}$ Galvanized Machine.....	.06	3.50
$\frac{3}{4} \times \frac{3}{8}$ Galvanized Machine.....	.06	3.50
$\frac{3}{4} \times \frac{3}{8}$ Galvanized Machine.....	.06	2.75
$1\frac{1}{4} \times \frac{1}{2}$ Galvanized Machine.....	.12	6.00
$2\frac{3}{8} \times \frac{3}{8}$ Galvanized Hook Bolt.....	.10	5.50
$1\frac{1}{4} \times \frac{3}{16}$ Galvanized Tee Head.....	.10	6.60
$2\frac{1}{4} \times \frac{1}{2}$ Galvanized V Head Straight.....	.17	8.25
$2\frac{1}{4} \times \frac{1}{2}$ Galvanized V Head Bent.....	.17	8.25
Galvanized Clamp for Brace Tightener.....	.12	5.50
$1\frac{1}{4} \times \frac{3}{8}$ Galvanized Carriage.....	.06	3.50
1 x $\frac{3}{16}$ Galvanized Carriage.....	.06	2.75
$1\frac{1}{4} \times \frac{3}{16}$ Galvanized Carriage.....	.06	2.75
$1\frac{1}{2} \times \frac{3}{16}$ Galvanized Carriage.....	.12	4.50
$1\frac{1}{2} \times \frac{3}{8}$ Plow Bolt.....	.06	2.75
Wheel and Arm Bolts with lock washers		
6 ft. per set.....	1.50	
8 ft. per set.....	1.75	
10 ft. per set.....	2.00	
12 ft. per set.....	2.25	
Lock Washers		
$\frac{3}{16}''$ Kantlink.....		.50
$\frac{3}{8}''$ Kantlink.....		.60
$\frac{1}{2}''$ Kantlink.....		.60
$\frac{3}{4}''$ Kantlink.....		.85
Inside Tower Washers10	5.50
Outside Tower Washers06	2.75

Parts for Woodmanse Galvanized Steel Towers

Part Name and Description	3 Post No. 1		3 Post No. 2 & 6		4 Post No. 3		4 Post No. 4 & 9		4 Post No. 10		4 Post No. 5		4 Post No. 0		4 Post No. A-1		4 Post No. A-2			
	Set	Ea.	Set	Ea.	Set	Ea.	Set	Ea.	Set	Ea.	Set	Ea.	Set	Ea.	Set	Ea.	Set	Ea.		
Wire Cross Braces.																				
For Section No. 1.....	\$1.50	.35	\$1.50	.35	\$1.95	.35	\$1.95	.35	\$2.75	.50	\$1.95	.35								
" " No. 1 1/2.....													\$3.30	.60	\$1.80	.45	\$1.80	.45		
" " No. 2 Short.....			1.85	.45			2.70	.50	3.75	.65	2.70	.50	3.30	.60						
" " No. 2 Long.....	2.40	.55	2.40	.55	3.15	.55	3.15	.55	4.25	.90	3.20	.55	3.40	.65	2.90	.50	2.90	.50		
" " No. 2 1/2.....	2.55	.60	2.55	.60	3.25	.55	3.25	.55					3.60	.70	3.00	.55	3.00	.55		
" " No. 3 Short.....			2.55	.60			3.25	.55	4.25	.90	3.50	.60	3.60	.70						
" " No. 3 Long.....	2.70	.65	2.70	.65	3.35	.60	3.35	.60	4.40	.95	3.60	.65	3.70	.70	3.10	.65	3.10	.65		
" " No. 3 1/2.....													3.80	.70						
" " No. 4 Short.....			2.75	.65			3.35	.60	4.50	1.00	3.90	.70	3.80	.70						
" " No. 4 Long.....	3.15	.75	3.15	.75	3.65	.65	3.50	.65	4.70	1.00	4.00	.75	4.10	.75	3.20	.75	3.20	.75		
" " No. 5 Short.....			3.20	.75			3.50	.65	4.85	1.05										
" " No. 5 Long.....	3.50	.80	3.50	.80	3.75	.65	3.60	.70	5.10	1.10										
" " No. 6 Short.....	3.60	.80	3.60	.80	4.00	.70	4.00	.70	5.25	1.15										
" " No. 6 Long.....	3.75	.85	3.75	.85	4.10	.75	4.20	.75	5.60	1.20					3.50	.85	3.50	.85		
" " No. 7 Short.....	3.95	.90	3.95	.90	4.20	.75	4.40	.75	5.70	1.20										
" " No. 7 Long.....	4.10	.95	4.10	.95	4.30	.80	4.60	.80	6.00	1.25										
" " No. 8 Short.....	4.25	1.00	4.25	1.00	4.60	.80	4.80	.85	6.30	1.30										
" " No. 8 Long.....	4.50	1.00	4.50	1.00	4.70	.85	5.00	.85	6.40	1.35										
Flat Steel Cross Braces.	.55	.20	.55	.20	.70	.20	.70	.20	.85	.25	.70	.20								
Steel Angle Girts.																				
For Section No. 1 1st.....	.35	.20	.35	.20	.35	.20	.35	.20	.75	.25	.35	.20	.35	.20	.35	.20	.35	.20		
" " No. 1 2nd.....	.45	.20	.45	.20	.45	.20	.45	.20	.95	.25	.45	.20	.65	.25	.20	.20	.20	.20		
" " No. 1 3rd.....	.50	.20	.50	.20	.50	.20	.50	.20	1.10	.30	.50	.20	.95	.35	.25	.25	.25	.25		
" " No. 1 4th.....	.65	.25	.65	.25	.65	.25	.65	.25	1.30	.40	.65	.25	1.75	.60	.75	.25	.75	.25		
" " No. 1 5th.....	.70	.25	.70	.25	.70	.25	.70	.25	1.55	.45	.70	.25			.35	.35	.35	.35		
" " No. 1 6th.....	.85	.30	.85	.30	.85	.30	.85	.30	2.00	.55	.85	.30			1.25	.40	1.25	.40		
" " No. 1 7th.....	1.00	.35	1.00	.35	1.00	.35	1.00	.35	2.15	.60	1.00	.35								
" " No. 1 8th.....	1.15	.40	1.15	.40	1.15	.40	1.15	.40	2.25	.65	1.15	.40								
" " No. 1 1/2.....													2.20	.60	1.85	.65	1.85	.65		
" " No. 2 Center.....	1.80	.65	1.80	.65	1.75	.60	1.75	.60	2.75	.85	2.50	.85	2.20	.60	1.85	.65	1.85	.65		
" " No. 2 Lower.....	2.25	.80	2.25	.80	2.25	.60	2.25	.60	3.40	.90	4.00	1.15	2.85	.75	2.25	.80	2.25	.80		
" " No. 2 1/2.....	2.60	.90	2.60	.90	2.90	.80	2.90	.80					2.85	.75	2.60	.90	2.60	.90		
" " No. 3 Center.....	2.60	.90	2.60	.90	2.70	.80	2.70	.80	4.45	1.15	5.50	1.55	5.50	.90	2.60	.90	2.60	.90		
" " No. 3 Lower.....	3.85	1.30	3.85	1.30	4.25	1.15	4.25	1.15	5.15	1.55	10.40	2.60	5.15	1.30	3.90	1.30	3.90	1.30		
" " No. 3 1/2.....													5.10	1.30						
" " No. 4 Center.....	3.85	1.30	3.85	1.30	3.85	1.00	3.85	1.00	5.75	1.60	8.25	2.10	5.10	1.30	3.85	1.30	3.85	1.30		
" " No. 4 Lower.....	5.20	1.80	5.20	1.80	5.45	1.50	5.45	1.50	7.00	1.80	12.15	3.10	7.25	1.85	5.15	1.70	5.15	1.70		
" " No. 5 Center.....	5.45	1.90	5.45	1.90	5.00	1.30	5.00	1.30	7.60	2.00			7.60	2.00	5.25	2.05	5.25	2.05		
" " No. 5 Lower.....	9.00	3.00	9.00	3.50	7.50	2.15	7.50	2.15	11.60	3.15			11.60	3.10	9.00	3.00	9.00	3.00		
" " No. 6 Center.....	6.25	2.40	6.25	2.40	6.00	1.75	6.00	1.75	10.75	2.75			6.15	2.50	6.15	2.50	6.15	2.50		
" " No. 6 Lower.....	11.00	4.15	11.00	4.15	10.75	3.15	10.75	3.15	11.50	3.10			11.00	4.00	11.00	4.00	11.00	4.00		
" " No. 7 Center.....	10.00	3.85	10.00	3.85	8.00	2.25	8.00	2.25	11.75	3.15										
" " No. 7 Lower.....	11.60	4.25	11.60	4.25	13.00	3.60	13.00	3.60	13.90	3.60										
" " No. 8 Center.....	13.00	4.75	13.00	4.75	12.80	3.60	12.80	3.60	13.25	3.55										
" " No. 8 Lower.....	14.75	5.50	14.75	5.50	13.75	4.15	13.75	4.15	16.50	4.75										

Part Name and Description	3 Post No. 1 & 2		3 Post No. 6		4 Post No. 3 & 4		4 Post No. 9		4 Post No. 10		4 Post No. 5		4 Post No. 0		4 Post No. A-1		4 Post No. A-2	
CORNER POSTS																		
For No. 1 Section..... each	\$4.00		\$4.75		\$4.00		4.75		\$6.75		\$5.00		\$4.40		\$4.00		\$4.75	
" " No. 1 1/2 "..... "													2.25		2.20		2.65	
" " No. 2 1/2 "..... "	2.00				2.00						2.00		2.25		2.20		2.65	
" " No. 2 & 3 Section..... "	3.75		4.40		3.75		4.40		6.00		3.75		4.00		3.75		4.40	
" " No. 3 1/2 Section..... "													2.25					
" " No. 4 "..... "	5.30		6.00		4.75		5.65		6.00		4.75		4.00		4.00		4.75	
" " No. 5 & 6 Section..... "	5.30		6.00		4.75		5.65		8.00				4.00		5.30		6.00	
" " No. 7 & 8 "..... "	6.75		8.00		6.00		7.25		8.00									

STEENROD REGULATOR PARTS AND PRICES



PARTS LIST For Steenrod Regulator

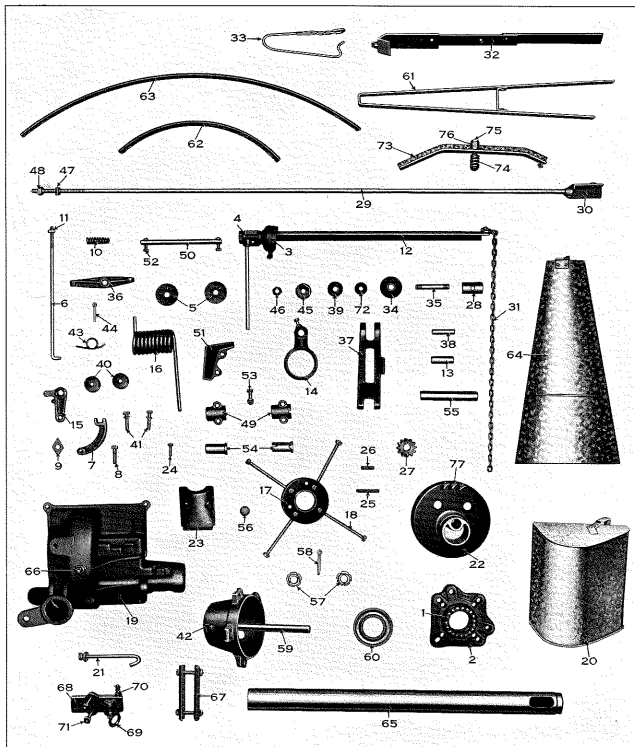
PART NO.	PRICE
"K"	\$1.25
"L"	2.25
"M"	1.25
"N"	1.15
"O"	.45
"P"	.60
"R"	.45
"S"	.60
"T"	.40
"U"	.15
Bar extension for "N"	.45

When ordering repairs for Windmills, erected prior to January 1, 1903 write for "H" repair list so the correct part number can be obtained.

When ordering new gears for your Windmill be sure to check and see whether the bearings are worn, because worn bearings cause the gears to wear more quickly.

PARTS LIST FOR IMPROVED TYPE "J" WINDMILLS

SINCE JULY 1, 1935



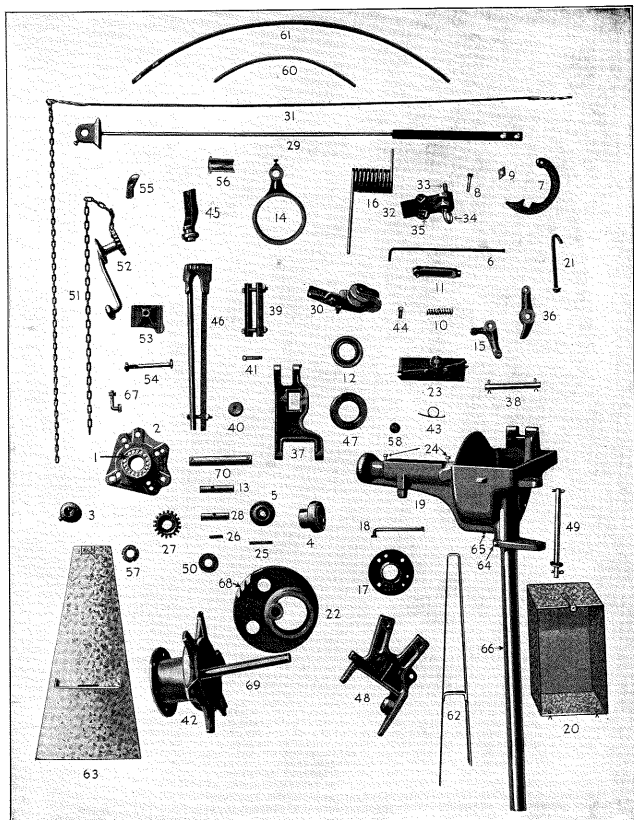
**REPAIR PARTS PRICE LIST FOR TYPE "J"
WOODMANSE WINDMILL**

ERECTED SINCE JULY 1, 1935

Item No.	PART NAME	6½ Ft. B. G.	
		Symbol	Price
1	Ball Bearings.....	6J17	\$.55
2	Bed Plate.....	G510	1.65
3	Bottom Plunger Guide.....	6J19A	.85
4	Pullout Swivel.....	6J15	1.10
5	Governor Spring Bushing.....	6E212	.30
6	Brake Rod.....	6J69	.45
7	Brake Shoe.....	6J7	.85
8	Brake Shoe Cap Screw.....	G41	.15
9	Brake Shoe Lock Washer.....	G42	.15
10	Brake Rod Spring.....	6J18	.25
11	Brake Rod Nuts.....	6J11	.15
12	Pullout Pipe.....	6J12A	1.65
13	Eccentric Pin.....	6J44	.70
14	Eccentric Ring.....	6J6C	2.20
15	Front Brake Lever.....	6J8	.70
16	Governor Spring.....	8E29	1.65
17	Guide Plate.....	G11	1.40
18	Guide Plate Bolts.....	G45	.15
19	Head Casting.....	6J1B	10.40
20	Hood.....	6J27	2.75
21	Hook Bolt for Governor Spring.....	8C360	.35
22	Internal Gear.....	6J5C	5.50
23	Inspection Plate.....	6J35	.55
24	Inspection Plate Screw.....	6J46	.15
25	Wheel Shaft Key.....	6J47	.35
26	Pinion Key.....	6J48	.20
27	Pinion.....	6J203	1.10
28	Swivel Pivot Pin.....	6J22	.85
29	Plunger with Nuts and Wood Rod Connector.....	6J37	1.40
30	Wood Rod Connector.....	6J20	.45
31	Pullout Chain.....	6J30	.55
32	Pullout Lever.....	6J21	1.65
33	Pullout Lever Link.....	6J23	.35
34	Umbrella.....	6J39	.85
35	Umbrella Tube.....	6J25	.35
36	Rear Brake Lever.....	6J10	.70
37	Rocker Arm.....	6J4A	1.40
38	Rocker Arm Pin.....	6J24	.70
39	Swivel Plate.....	6J26	.55
40	Pulley.....	G55	.30
41	Pulley Bolt.....	6J56	.15
42	Spider and Shaft.....	6J2	3.30
43	Front Brake Lever Tension Spring.....	8E45	.20
44	Front Brake Lever Cotter Pin.....	6J28	.10
45	Swivel Top.....	6J13	.35
46	Swivel Lock Nut.....	6J31	.15
47	Hexagon Nut for Plunger.....		.15
48	Hexagon Lock Nut for Plunger.....		.15
49	Wheel Shaft Bearing Caps.....	6J9	.45
50	Vane Hinge Pin.....	6J16	.55
51	Oil Trough.....	6J34	.50
52	Vane Hinge Pin Lock Bolts.....	6J32	.15
53	Wheel Shaft Bearing Cap Bolts.....	6J33	1.10
54	Wheel Shaft Bearings (4 pieces), set.....	6J21A	1.40
55	Gear Shaft.....		.15
56	Gear Shaft Lead Disc.....		.15
57	Wheel Shaft Thrust Collar.....	6C36	.35
58	Gear Shaft Thrust Collar Cotter.....	6J42	.10
59	Wheel Shaft.....	6J64	1.40
60	Upper Ball Race Collar.....	10E12	.70
61	Wheel Arm.....	6J51	.90
62	Inside Wheel Rim.....	6J49	.55
63	Outside Wheel Rim.....	6J50	.70
64	Wheel Fans.....	269	.60
65	Mast Pipe.....	6J61	1.10
66	Drain Plug.....	6C60	.15
67	Rod Coupling and Bolts for Wood Rods.....	324	.60
68	Pump Slide Casting.....	G49	.60
69	Pump Slide Pull Pin.....	G51	.25
70	Pump Slide Pin Spring.....	G50	.20
71	Pump Slide U-Bolt.....	G52	.30
72	Swivel Washer.....	6J52	.15
73	Bumper Bar.....	6J96	.65
74	Bumper Bar Spring.....	6J18	.25
75	Bumper Bar Spring Bolt.....	6J67	.20
76	Bumper Bar Bolt Bushing.....	6J68	.25
77	Oil Fins for Internal Gear.....	6J63	.20

Illustration on Opposite Side of Sheet.

For Improved Woodmanse Oil-Bath Mills "G.B" Pattern
Erected Since May 1, 1933.



Parts List for Improved Type "G" Oil-Bath Mills

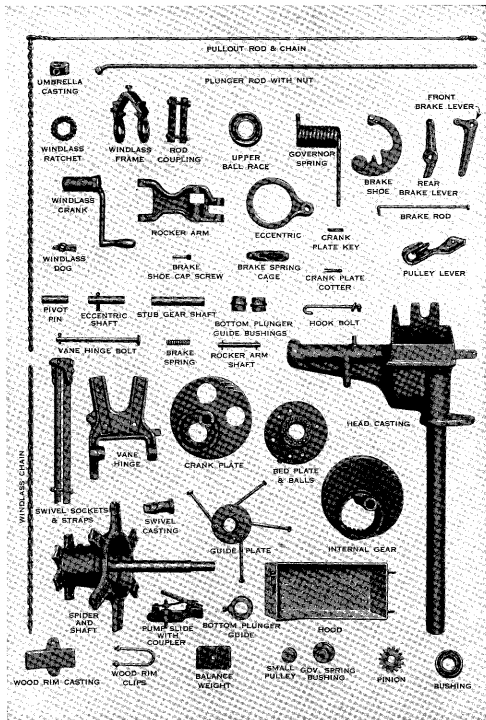
Since May 1st, 1933

Item No.	6 Ft. B. G.		8 Ft. B. G.		10 Ft. B. G.		12 Ft. B. G.	
	Part	Price	Part	Price	Part	Price	Part	Price
1. Ball Bearings	SE17	.60	SE17	.60	OE17	.85	12E17	1.15
2. Bed Plate	G310	1.75	G310	1.75	W510	2.00	WS10	2.75
3. Bottom Plunger Guide	319	.85	319	.85	519	1.00	819	1.50
4. Bushing for Bed Plate	G40	.60	G40	.60	10G40	.75	12G40	1.15
5. Bushing for Governor Spring	6E212	.30	10E512	.45	10E512	.45	G812	.50
6. Brake Rod	SE19	.30	SE19	.30	10E19	.40	12E19	.60
7. Brake Shoe	GC77	.95	8G77	1.15	10G77	1.50	12G77	2.75
8. Brake Shoe Cap Screw	G41	.15	G41	.15	G41	.15	12G1	.25
9. Brake Shoe Cap Screw Lock Washer	G42	.15	G42	.15	G42	.15	12G42	.15
10. Brake Spring	8E18	.40	8E18	.40	8E18	.40	12G18	.50
11. Brake Spring Case	8E11	.70	8E11	.70	8E11	.70	12G11	.85
12. Collar for Bed Plate	G43	.80	G43	.80	10G43	.70	12G43	.85
13. Eccentric Shaft	G44	.75	G44	.75	10G44	.85	12G44	1.15
14. Eccentric Ring	G6	2.75	G6	2.75	10G6	3.00	12G6	4.50
15. Front Brake Lever	G8	.70	G8	.70	10G8	.70	12G8	1.00
16. Governor Spring	6E29	1.50	8E29	1.75	10E29	2.00	859	3.50
17. Guide Plate	311	1.15	311	1.15	311	1.50	811	1.75
18. Guide Plate Bolts	G45	.15	G45	.15	G45	.15	12G45	.15
19. Head Casting with Pipe	GC1B	11.75	8G1B	13.75	10G1B	18.00	12G1	35.00
20. Hood	8G27	2.75	8G27	2.75	10G27	3.00	12G27	4.50
21. Hood Bolt for Governor Spring	8G360	.35	8G360	.35	10G560	.45	10G560	.45
22. Internal Gear	G5	5.50	G5	5.50	10G5	6.75	12G5	13.50
23. Inspection Plate	6G35	.60	8G35	.60	10G35	.60	12G35	.85
24. Inspection Plate Cap Screws	G46	.15	G46	.15	G46	.15	12G46	.15
25. Key for Wheel Shaft	GC47	.30	8G47	.40	10G47	.60	12G47	.85
26. Key for Pinion	6G48	.20	8G48	.20	10G48	.30	12G48	.60
27. Pinion	6E203	1.15	8G39	1.75	10G39	2.00	G803	3.00
28. Pivot Pin for Plunger	8G22	.85	8G22	.85	10G22	.85	12G22	1.15
29. Plunger with Umbrella	G37	2.75	G37	2.75	10G37	3.75	12G37	6.25
30. Pulley Lever with Pulley	6G16A	1.50	8G16A	1.75	10G16A	2.25	12G16A	2.50
31. Pullout Rod and Chain	6G30	1.50	8G30	1.50	10E558	1.60	658	1.75
32. Pump Slide Casting	G49	.60	G49	.60	G49	.60	12G49	1.15
33. Pump Slide Coil Spring	G50	.20	G50	.20	G50	.20		
34. Pump Slide Pull Pin	G51	.25	G51	.25	G51	.25	12G51	.75
35. Pump Slide U-Bolt	G52	.30	G52	.30	G52	.30	12G52	.45
Pump Slide Flat Spring							12G53	.25
Pump Slide Handle							12G54	.30
Pump Slide Complete	G323	.95	G323	.95	G323	.95	823	1.75
36. Rear Brake Lever	6E10	.70	6E10	.70	8E10	.70	12E10	1.15
37. Rocker Arm	G4	2.50	G4	2.50	10G4	2.75	12G4	3.85
38. Rocker Arm Shaft	8G24	.70	8G24	.70	10G24	.85	12G24	1.15
39. Rod Couplings for Wood Rods per pair including Bolts	324	.60	324	.60	324	.60	824	.95
40. Small Pulley	G55	.30	G55	.30	G55	.30	12G55	.40
41. Small Pulley Bolt	G56	.15	G56	.15	G56	.15	12G56	.15
42. Spider and Shaft	6E2	3.60	8E2	6.00	10E2	7.50	12E2	11.75
43. Tension Spring for Front Brake Lever	6G65	.20	6G65	.20	6G65	.20		
44. Set Screw for Gear Shaft	6G66	.15	6G66	.15	6G66	.15	12G66	.20
45. Swivel Top	G13	.85	G13	.85	G13	.85	820	1.25
46. Swivel Sockets and Straps	G15	1.75	G15	1.75	G15	1.75	821	2.25
47. Upper Ball Race	SE12	.60	8E12	.60	10E12	.70	12E12	.95
48. Vane Hinge	6E3	1.80	8E3	2.00	10E3	2.75	12E3	5.75
49. Vane Hinge Pin	6G20	.60	8G20	.60	10G20	.75	12G20	.85
50. Washer for Wheel Shaft	6G57	.15	8G57	.15	10G57	.15	12G57	.15
51. Windlass Chain	G216	.75	G216	.75	G216	.75	816	1.25
52. Windlass Handle	G214	1.15	G214	1.15	G214	1.15	814	1.75
53. Windlass Frame	G215	.95	G215	.95	G215	.95	815	1.75
54. Windlass Spindle Bolt	G219	.50	G219	.50	G219	.50		
Windlass Ratchet							817	.60
55. Windlass Dog	G218	.25	G218	.25	G218	.25	218	.25
56. Wheel Shaft Bearings, per set (4 pieces)	6G33	1.00	8G33	1.25	10G33	1.50	12G33	3.35
57. Thrust Collar, each	6G36	.30	8G36	.30	10G36	.30	12G36	.30
58. Oil Retainer Disc, each	6G58	.15	6G58	.15	10G58	.15	12G58	.25
59.								
60. Inside Wheel Rim	268	.50	368	.60	10E37	.70	868	.85
61. Outside Wheel Rim	267	.60	367	.70	10E36	.70	867	1.00
62. Wheel Arm	265	.95	365	1.35	10E35	1.75	865	2.75
63. Wheel Arms (with Clip and Fracket)	269	.60	369	.90	10E38	.90	869	1.75
64. Set Screw for Mast Pipe	6G59	.15	6G59	.15	6G59	.15	12G59	.15
65. Drain Plug (1/4")	6G60	.20	6G60	.20	6G60	.20	6G60	.20
66. Mast Pipe	6G61	1.15	6G61	1.15	10G61	1.40	12G61	3.35
67. Bent Bolts for Bed Plate	G62	.15	G62	.15	G62	.15	G62	.15
68. Oil Fins for Internal Gear	G63	.20	G63	.20	10G63	.25	12G63	.40
69. Wheel Shaft nut	6G64	1.50	8G64	2.25	10G64	2.75	12G64	4.50
70. Gear Shaft	8G21	1.50	8G21	1.50	10G21	2.00	12G21	2.50

Prices Subject to Change Without Notice.

For Woodmanse Oil-Bath Back Geared and Direct Stroke Steel of Wood "G"
 Type. This Cut Shows parts of Oil-Bath Eccentric Type "G"
 Mills Erected Since 1926.

Price List of Parts on Other Side of this Page



Windlass Complete for 6, 8, or 10 Ft. Style "G" Mills, \$2.00

Repair Price List "G"

*NOTE—Parts Listed Alphabetically

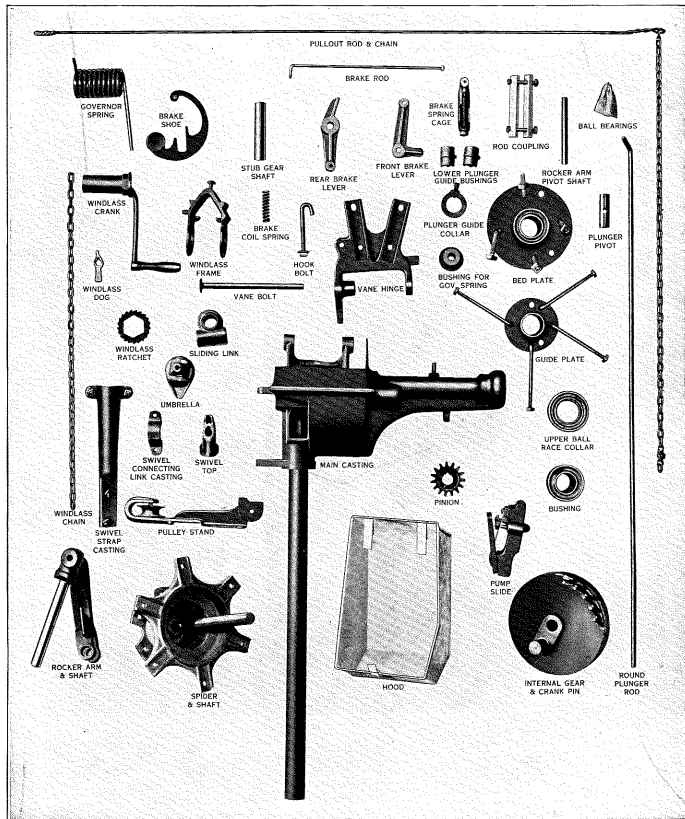
Erected Since 1926

NAME OF PART	6 Ft. B. G.		8 Ft. B. G.		10 Ft. B. G.		12 Ft. B. G.		10 Ft. D. S. Steel		10 Ft. D. S. Wood	
Balls for Bed Plate	8E-17	\$.60	8E-17	\$.60	10E-17	\$.85	12G-17	\$ 1.15	10E-17	\$.85	10E-17	\$.85
Bed Plate and Bolts	G-310	1.75	G-310	1.75	W-510	2.00	W-510	2.75	W-510	2.00	W-510	2.00
Bottom Plunger Guide (for Half R.I. Plunger)	319	.85	319	.85	519	1.00	819	1.50	519	1.00	519	1.00
Bushings for Bed Plate	8E-32	.60	8E-32	.60	10E-32	.75	12E-32	1.15	10E-32	.75	10E-32	.75
Bushing for Governor Spring, Each	6E-212	.30	10E-312	.45	10E-512	.45	G-812	.50	10E-512	.45	10E-512	.45
Brake Rod	8E-19	.30	8E-19	.30	10E-19	.40	12G-19	.60	10G-19	.40	10G-19	.40
Brake Shoe	6E-7	.95	8E-7	1.15	10E-7	1.50	12G-7	2.75	10E-7	1.50	10E-7	1.50
Brake Shoe Cap Screw and Lock Washer	G-41	.25	G-41	.25	G-41	.25	12G-41	.25	G-41	.25	G-41	.25
Brake Spring	8E-18	.40	8E-18	.40	8E-18	.40	8E-18	.40	8E-18	.40	8E-18	.40
Brake Spring Case	8E-11	.70	8E-11	.70	8E-11	.70	12G-11	.85	8E-11	.70	8E-11	.85
Collar for Bed Plate	G-43	.60	G-43	.60	10G-43	.70	12G-43	.85	10G-43	.70	10G-43	.70
Crank Plate									10GD-5	3.85	10GD-5	3.85
Eccentric Ring	G-6	2.75	G-6	2.75	10G-6	3.15	12G-6	4.50	10GD-6	3.15	10GD-6	3.15
Eccentric Shaft	8G-44	.75	8G-44	.75	10G-44	.85	12G-44	1.15	10G-44	.85	10G-44	.85
Front Brake Lever After Jan. 1, 1928	6E-8	.70	6E-8	.70	10E-8	.70	12G-8	1.00	10GD-8	.85	10GD-8	.85
	G-8	.70	G-8	.70	10G-8	.70						
Governor Spring	6E-29	1.50	8E-29	1.75	10E-29	2.00	859	3.50	10E-29	2.00	10E-29	2.00
Guide Plate and Bolts	311	1.15	311	1.15	511	1.50	811	1.75	511	1.50	511	1.50
Head Casting	6G-1	11.75	8G-1	13.75	10G-1	18.00	12G-1	35.00	10ED-1	17.00	10ED-1	17.00
Hood	8G-27	2.75	8G-27	2.75	10G-27	3.00	12G-27	4.50	10GD-27	3.00	10GD-27	3.00
Hook Butt	8G-360	.35	8G-360	.35	10G-360	.45	10G-500	.45	10G-500	.45	10G-500	.45
Internal Gear	G-5	5.50	G-5	5.50	10G-5	6.75	12G-5	13.50				
Pinion and Key	6E-203	1.15	8G-39	1.75	10E-30	2.00	8G-303	3.00				
Pivot Pin for Plunger	8E-22	.85	8E-22	.85	10E-22	.85	12G-22	1.15	10E-22	.85	10E-22	.85
Plunger Rod, Half Round End	8G-23	1.50	8G-23	1.50	10G-23	1.75	12G-23	5.00	10G-23	1.75	10G-23	1.75
Pulley Lever with Pulley	8E-16	1.50	8G-16	1.75	10G-16	2.25	12G-16	2.50	10GD-16	2.25	10GD-16	2.25
Pullout Rod and Chain	6G-30	1.50	8E-30	1.50	10E-558	1.60	668	1.75	10E-558	1.60	10E-558	1.60
Pump Slide with Automatic Control	G-323	.95	G-323	.95	G-323	.95	823	1.75	G-323	.95	G-323	.95
Rear Brake Lever	6E-10	.70	6E-10	.70	8E-10	.70	12G-10	1.15	10GD-10	.85	10GD-10	.85
Rocker Arm	8G-4	2.50	8G-4	2.50	10G-4	2.75	12G-4	3.85	10ED-4	2.75	10ED-4	2.75
Rocker Arm Shaft	8G-24	.70	8G-24	.70	10G-24	.85	12G-24	1.15	10GD-24	.60	10GD-24	.60
Rod Couplings and Bolts	324	.60	324	.60	324	.60	824	.95	324	.60	324	.60
Small Pulley	8G-55	.30	8G-55	.30	8G-55	.30	12G-55	.40	8G-55	.30	8G-55	.30
Spider and Shaft	6E-2	3.60	8E-2	6.00	10E-2	7.50	12G-2	11.75	10GD-2	7.75	10GD-2	7.75
Gear Shaft	8G-21	1.50	8G-21	1.50	10G-21	2.00	12G-21	2.50				
Swivel Top Casting	G-13	.85	G-13	.85	G-13	.85	820	1.25	G-13	.85	G-13	.85
Swivel Sockets and Straps	G-15	1.75	G-15	1.75	G-15	1.75	821	2.25	G-15	1.75	G-15	1.75
Umbrella Casting	8G-9	.85	8G-9	.85	10G-9	.85	12G-9	1.15	10G-9	.85	10G-9	.85
Upper Ball Race	8E-12	.60	8E-12	.60	10E-12	.70	12G-12	.95	10E-12	.70	10E-12	.70
Vane Hinge	6E-3	1.80	8E-3	2.00	10E-3	2.75	12G-3	5.75	10ED-3	2.75	10ED-3	2.75
Vane Hinge Bolt	6G-20	.60	8E-20	.60	10E-20	.75	12G-20	.85	10E-20	.75	10E-20	.75
Washer for Shaft		.05		.05		.05		.05			.05	
Windlass Chain	G-216	.75	G-216	.75	G-216	.75	816	1.25	G-216	.75	G-216	1.25
Windlass Crank and Ratchet	G-214	1.15	G-214	1.15	G-214	1.15	814	1.75	G-214	1.15	G-214	1.15
Windlass Dog	G-218	.25	G-218	.25	G-218	.25	G-218	.25	G-218	.25	G-218	.25
Windlass Frame	G-215	.95	G-215	.95	G-215	.95	815	1.75	G-215	.95	G-215	.95
Windlass Ratchet							817	.60				
Windlass Spindle Bolt	G-219	.50	G-219	.50	G-219	.50			G-219	.50	G-219	.50
Wood Rim Casting, Each											434	.35
Wood Rim Clip, Each											470	.25
Wheel Shaft Bearings							12G-33	2.50				
Thrust Collar, Each							12G-36	.30				
Inspection Plate							12G-35	.85				
Oil Ring							12G-40	.30				

Prices Subject to Change Without Notice.

GENUINE WOODMANSE PARTS

FOR Style "E" Oil-Bath Mill



Price List of Parts for Style "E" Oil-Bath Mills

Erected Mar. 1-23--Jan. '26

PART	6 Ft.		8 Ft.		10 Ft.	
Head Casting with Bearings	6E-1	\$11.75	8E-1	\$13.75	10E-1	\$18.00
Spider and Shaft	6E-2	3.60	8E-2	6.00	10E-2	7.50
Vane Hinge	6E-3	1.85	8E-3	2.00	10E-3	2.75
Rocker Arm and Shaft	6E-4	2.25	8E-4	3.35	10E-4	4.00
Internal Gear with Crank Pin	6E-5	3.65	8E-5	4.50	10E-5	5.00
Sliding Link			8E-6	1.35	8E-6	1.35
Pitman Link	6E-6	1.25				
Brake Shoe	6E-7	.95	8E-7	1.15	10E-7	1.50
Front Brake Lever	6E-8	.70	8E-8	.70	10E-8	.70
Umbrella Casting	6E-9	1.15	8E-9	1.15	10E-9	1.15
Rear Brake Lever	6E-10	.60	8E-10	.70	8E-10	.70
Brake Spring Cage Casting	8E-11	.70	8E-11	.70	8E-11	.70
Upper Ball Race Collar	8E-12	.60	8E-12	.60	10E-12	.70
Swivel Top	8E-13	.85	8E-13	.85	8E-13	.85
Swivel Connecting Link Casting	8E-14	.35	8E-14	.35	8E-14	.35
Swivel Strap Casting and Bolts	8E-15	1.15	8E-15	1.15	8E-15	1.15
Patley Stand Casting with pulleys	6E-16	.90	8E-16	1.75	10E-16	2.25
Ball Bearings	8E-17	.60	8E-17	.60	10E-17	.85
Brake Coil Spring	8E-18	.40	8E-18	.40	8E-18	.40
Brake Rod	6E-19	.30	8E-19	.30	10E-19	.40
Vane Bolt and Cotter	6E-20	.50	8E-20	.60	10E-20	.60
Stub Gear Shaft	6E-21	1.15	8E-21	1.15	10E-21	1.75
Plunger Pivot Pin	6E-22	.85	8E-22	.85	10E-22	.85
Round Plunger Rod	6E-23	1.15	8E-23	1.50	10E-23	1.50
Rocker Arm Pivot Shaft and Cotter	6E-24	.70	8E-24	.70	10E-24	.70
Plunger Guide Collar	8E-25	.85	8E-25	.85	10E-25	1.00
Lower Plunger Guide Bushing, pr.	8E-26	.40	8E-26	.40	10E-26	.50
Galvanized Hood	6E-27	2.50	8E-27	2.75	10E-27	3.00
Governor Spring	6E-29	1.50	8E-29	1.75	10E-29	2.00
Pullout Rod and Chain	8E-30	1.50	8E-30	1.50	10E-558	1.60
Bed Plate and Bolts	W-310	1.75	W-310	1.75	W-310	2.00
Bushing for Bed Plate	8E-32	.60	8E-32	.60	10E-32	.75
Pinion and Key	6E-203	1.15	8E-39	1.75	10E-39	2.00
Rocker Pitman Arm		.90				
Guide Plate and Bolts	8E-311	1.15	8E-311	1.15	10E-311	1.50
Governor Spring Bushing	6E-212	.30	8E-312	.30	10E-512	.45
Windlass Crank	214	1.10	214	1.10	214	1.10
Windlass Frame	215	1.10	215	1.10	215	1.10
Windlass Chain	216	.75	216	.75	216	.75
Windlass Ratchet	217	.50	217	.50	217	.50
Windlass Dog	218	.25	218	.25	218	.25
Automatic Pump Slide	323	1.50	323	1.50	323	1.50
Wood Rod Couplings and Bolts	324	.90	324	.60	324	.60
Hook Bolt	360	.35	360	.35	360	.45
Sections of Wheel, Each	264	2.50	364	3.50	10E-34	5.00
Arms, Each	265	.95	365	1.35	10E-35	1.75
Vane	266	5.50	366	7.75	366	13.75
Outside Long Rim for 1 Section	267	.90	367	.70	10E-36	.85
Inside Short Rim for 1 Section	268	.50	368	.60	10E-37	.70
Wheel Fans with Clips, Each	269	.60	369	.90	10E-38	.90
Windmill Oil, per gallon can	Oil, per gal.	1.50				
Windmill Oil, 1/2-gallon can	Oil, per 1/2-gal.	.85				
Windlass, complete	Windlass, comp.	2.25				

Prices Subject to Change Without Notice.

REPAIR PRICE LIST "S"

For Woodmanse Windmills Erected After January 1, 1903

Order by Number. Give us Size and Kind of Mill which repairs are wanted.

W preceding number does not alter price	6-Foot Back Gaeared Steel		8-Foot Back Gaeared Steel		10 1/2-Foot Back Gaeared Steel		10 1/2-Foot Mogul Steel		12 1/2-Foot Mogul Steel		14-Foot Mogul Steel		16-Foot Mogul Steel		10-Foot Wood		10-Foot D. Stroke Steel		12-Foot Wood		12-Foot D. Stroke Steel				
	No. Price	No. Price	No. Price	No. Price	No. Price	No. Price	No. Price	No. Price	No. Price	No. Price	No. Price	No. Price	No. Price	No. Price	No. Price	No. Price	No. Price	No. Price	No. Price	No. Price	No. Price	No. Price			
Main Frame	200	\$10.00	300	\$14.00	500	\$22.00	600	\$30.00	800	\$35.00	1000	\$55.00	1000	\$75.00	1000	\$100.00	1000	\$110.00	700	\$200.00	800	\$200.00	800	\$200.00	
Main Frame after May, 1915	W200		W300		W500		W600		W800		W1000		W1000		W1000		W400		W400		W700		W700		
Vane Hinge	201	1.50/801	200	2.00/1001	6.00/351		6.00/801	6.00/901	16.00/1001	19.00/1101	4.75/401	4.75/401	4.75/401	4.75/401	4.75/401	4.75/401	4.75/401	4.75/401	4.75/401	4.75/401	4.75/401	4.75/401	4.75/401	4.75/401	
Internal Gear	202	3.50/302	4.00/302	8.00/602	8.00/602	8.00/602	10.00/902	10.00/902	15.50/1002	22.00/1002															
Pinion	203	1.50/803	1.75/803	2.50/603	2.50/603	2.75/803	2.75/803	3.10/903	3.10/903	3.50/903	3.85/1														
Pinion with Bearings	272	2.25/272	2.50/272	2.75/872	2.75/872	4.00/872	4.00/872	5.00/872	5.00/872	6.00/872	6.00/872	6.00/872	6.00/872	6.00/872	6.00/872	6.00/872	6.00/872	6.00/872	6.00/872	6.00/872	6.00/872	6.00/872	6.00/872	6.00/872	
Cap for Long Shaft Box For Mills since May, 1915	203	1.50/803	1.75/803	2.00/603	2.00/603	3.10/803	3.10/803	3.15/903	3.15/903	5.00/1003	5.00/1003	5.00/1003	5.00/1003	5.00/1003	5.00/1003	5.00/1003	5.00/1003	5.00/1003	5.00/1003	5.00/1003	5.00/1003	5.00/1003	5.00/1003	5.00/1003	
W203		W303		W503		W603		W803		W1003		W1003		W1003		W403		W403		W703		W703		W703	
Cap for Short Shaft Box For Mills since May, 1915	207	1.25/307	1.50/307	2.00/607	2.00/607	2.25/807	2.25/807	2.50/907	2.50/907	3.00/1007	3.00/1007	3.00/1007	3.00/1007	3.00/1007	3.00/1007	3.00/1007	3.00/1007	3.00/1007	3.00/1007	3.00/1007	3.00/1007	3.00/1007	3.00/1007	3.00/1007	
W207		W307		W507		W607		W807		W1007		W1007		W1007		W407		W407		W707		W707		W707	
Brake Lever	209	60/307	85/307	1.15/607	1.15/607	1.50/807	1.50/807	1.75/907	1.75/907	2.00/1007	2.00/1007	2.25/1007	2.25/1007												
Double Spider and Shaft	208	4.00/808	6.00/808	9.00/908	9.00/908	9.00/908	11.75/908	11.75/908	20.50/1008	25.00/1008	25.00/1008	25.00/1008													
Pulley Lever with Pulleys	209	1.50/809	1.75/809	2.25/509	2.25/509	2.25/509	2.25/509	2.25/509	2.25/509	2.25/509	2.25/509	2.25/509	2.25/509	2.25/509	2.25/509	2.25/509	2.25/509	2.25/509	2.25/509	2.25/509	2.25/509	2.25/509	2.25/509	2.25/509	
Bed Plate and Bolts Bed Plate after May, 1915	310	1.75/310	1.75/310	2.00/810	2.00/810	2.75/810	2.75/810	3.85/1010	4.25/1010	4.25/1010	4.25/1010	4.25/1010	4.25/1010	4.25/1010	4.25/1010	4.25/1010	4.25/1010	4.25/1010	4.25/1010	4.25/1010	4.25/1010	4.25/1010	4.25/1010	4.25/1010	
W310		W310		W510		W810		W810		W310		W1010		W1010		W310		W310		W510		W510		W510	
Lower Guide-Plate	311	1.15/311	1.15/311	1.00/811	1.00/811	1.75/811	1.75/811	1.75/811	1.75/811	1.75/811	1.75/811	1.75/811	1.75/811	1.75/811	1.75/811	1.75/811	1.75/811	1.75/811	1.75/811	1.75/811	1.75/811	1.75/811	1.75/811	1.75/811	
Bushings for Governor Spring, pr. 312	75/312	75/312	90/512	90/512	90/812	90/812	1.75/912	2.00/912	2.00/912	2.00/912	2.00/912	2.00/912	2.00/912	2.00/912	2.00/912	2.00/912	2.00/912	2.00/912	2.00/912	2.00/912	2.00/912	2.00/912	2.00/912	2.00/912	
Top Plunger Box	313	1.15/313	1.15/313	1.40/813	1.40/813	1.75/813	1.75/813	1.75/813	1.75/813	1.75/813	1.75/813	1.75/813	1.75/813	1.75/813	1.75/813	1.75/813	1.75/813	1.75/813	1.75/813	1.75/813	1.75/813	1.75/813	1.75/813	1.75/813	
Windlass Crank	314	1.10/214	1.10/214	1.00/814	1.00/814	1.75/814	1.75/814	1.75/814	1.75/814	1.75/814	1.75/814	1.75/814	1.75/814	1.75/814	1.75/814	1.75/814	1.75/814	1.75/814	1.75/814	1.75/814	1.75/814	1.75/814	1.75/814	1.75/814	
Windlass Frame	215	1.02/215	1.02/215	1.10/815	1.10/815	1.75/815	1.75/815	1.75/815	1.75/815	1.75/815	1.75/815	1.75/815	1.75/815	1.75/815	1.75/815	1.75/815	1.75/815	1.75/815	1.75/815	1.75/815	1.75/815	1.75/815	1.75/815	1.75/815	
Windlass Chain	216	75/216	75/216	75/816	75/816	1.25/816	1.25/816	1.25/816	1.25/816	1.25/816	1.25/816	1.25/816	1.25/816	1.25/816	1.25/816	1.25/816	1.25/816	1.25/816	1.25/816	1.25/816	1.25/816	1.25/816	1.25/816	1.25/816	
Windlass Ratchet	217	50/217	50/217	50/817	50/817	65/817	65/817	65/817	65/817	65/817	65/817	65/817	65/817	65/817	65/817	65/817	65/817	65/817	65/817	65/817	65/817	65/817	65/817	65/817	
Windlass Dog	218	25/218	25/218	25/218	25/218	25/218	25/218	25/218	25/218	25/218	25/218	25/218	25/218	25/218	25/218	25/218	25/218	25/218	25/218	25/218	25/218	25/218	25/218	25/218	
Bottom Plunger Guide	319	85/319	85/319	1.00/819	1.00/819	1.50/819	1.50/819	1.50/1019	1.50/1019	2.00/1019	2.00/1019	2.00/1019	2.00/1019	2.00/1019	2.00/1019	2.00/1019	2.00/1019	2.00/1019	2.00/1019	2.00/1019	2.00/1019	2.00/1019	2.00/1019	2.00/1019	
Savell Top	320	85/320	85/320	85/820	85/820	1.25/820	1.25/820	1.25/820	1.25/820	1.25/820	1.25/820	1.25/820	1.25/820	1.25/820	1.25/820	1.25/820	1.25/820	1.25/820	1.25/820	1.25/820	1.25/820	1.25/820	1.25/820	1.25/820	
Savell Socket, per pair	321	1.15/321	1.15/321	1.25/821	1.25/821	1.50/821	1.50/821	1.75/1021	1.75/1021	2.00/1021	2.00/1021	2.00/1021	2.00/1021	2.00/1021	2.00/1021	2.00/1021	2.00/1021	2.00/1021	2.00/1021	2.00/1021	2.00/1021	2.00/1021	2.00/1021	2.00/1021	
Bottom Plunger Guide	322	8.50/322	4.75/322	5.00/822	5.00/822	10.00/822	10.00/822	11.00/1022	11.00/1022	18.00/1022	18.00/1022	18.00/1022	18.00/1022	18.00/1022	18.00/1022	18.00/1022	18.00/1022	18.00/1022	18.00/1022	18.00/1022	18.00/1022	18.00/1022	18.00/1022	18.00/1022	
Pump Slide with Automatic Pin	323	1.50/323	1.50/323	1.50/823	1.50/823	1.65/823	1.65/823	2.00/923	2.00/923	2.00/923	2.00/923	2.00/923	2.00/923	2.00/923	2.00/923	2.00/923	2.00/923	2.00/923	2.00/923	2.00/923	2.00/923	2.00/923	2.00/923	2.00/923	
Wood-Rod Coupling with Bolts, per pr. 324	60/324	60/324	60/324	60/324	60/324	60/324	60/324	60/324	60/324	60/324	60/324	60/324	60/324	60/324	60/324	60/324	60/324	60/324	60/324	60/324	60/324	60/324	60/324	60/324	
Crank Pin with Key Bolt	225	1.50/225	1.75/225	1.75/825	1.75/825	2.25/825	2.25/825	2.25/825	2.25/825	2.25/825	2.25/825	2.25/825	2.25/825	2.25/825	2.25/825	2.25/825	2.25/825	2.25/825	2.25/825	2.25/825	2.25/825	2.25/825	2.25/825	2.25/825	
Plunger Pin					827	2.25/827	2.25/827	2.25/827	2.25/827	2.25/827	2.25/827	2.25/827	2.25/827	2.25/827	2.25/827	2.25/827	2.25/827	2.25/827	2.25/827	2.25/827	2.25/827	2.25/827	2.25/827	2.25/827	
Balance Weight																									
Brake Shoe																									
Spider and Shaft (Wood Mill)																									
Crank Plate																									
Inside Spider																									
Outside Spider																									
Rim Castings (per set)																									
Front Brake Plate																									
Wheel Shaft	202	1.75/202	2.75/202	3.00/602	3.00/602	3.50/802	3.50/802	4.00/902	4.00/902	4.50/1002	4.50/1002	4.50/1002	4.50/1002	4.50/1002	4.50/1002	4.50/1002	4.50/1002	4.50/1002	4.50/1002	4.50/1002	4.50/1002	4.50/1002	4.50/1002	4.50/1002	
*Bearings for Wheel Shaft, per set. 201	1.00/201	1.25/201	1.25/501	1.25/501	1.25/501	1.25/501	1.25/501	1.25/501	1.25/501	1.25/501	1.25/501	1.25/501	1.25/501	1.25/501	1.25/501	1.25/501	1.25/501	1.25/501	1.25/501	1.25/501	1.25/501	1.25/501	1.25/501	1.25/501	
For Mills since May, 1915	W201		W301		W501		W501		W501		W501		W501		W501		W501		W501		W501		W501		W501
*Bearings for Short Shaft, per set. 203	1.25/303	1.25/303	1.00/603	1.00/603	1.25/803	1.25/803	1.																		